



gorban



# Gorban Power Lighting Tower

[www.gorban-generator.com](http://www.gorban-generator.com)



### Lighting Tower Technical Data

|                                     |                   |
|-------------------------------------|-------------------|
| Rated Power                         | 2.8KW             |
| Number & Power of Lamp              | 4×350W            |
| Rated Frequency/ Speed              | 1500 rpm          |
| Rated Voltage                       | 230Vac            |
| Power Factor                        | 1                 |
| Max Overall Dimension (L×W×H)       | 2990*2310*7500 mm |
| Container loading Dimension (L×W×H) | 1480*1100*2450 mm |
| Tank Capacity / Running Hr.         | 100 L / 140 hr.   |
| Weight                              | 700kg             |

### Engine

|                           |                            |
|---------------------------|----------------------------|
| Engine Model              | Z482                       |
| Manufacturer              | Kubota                     |
| Number of Cylinders       | 2                          |
| Cylinder Arrangement      | Vertical                   |
| Cycle                     | 4 stroke                   |
| Aspiration                | naturally                  |
| Bore x Stroke             | 67 x 68mm                  |
| Displacement              | 0.479 L                    |
| Compression Ratio         | 23.5:1                     |
| Prime Power/Speed(Gross)  | 4.1KW / 1500rpm            |
| Cooling System            | Forced Water Cooling Cycle |
| Oil Capability            | 2.5L                       |
| Injection Pump            | Bosch MD Type Pump         |
| Starter motor/ Alternator | 0.8KW/12V                  |

### Control System

|                  |      |
|------------------|------|
| Controller Model | MALC |
|------------------|------|

### Alternator

|                    |                     |
|--------------------|---------------------|
| Alternator Model   | LT3N-75/4           |
| Rated Output Power | 3.5KW               |
| Alternator Type    | Brushless/Capacitor |
| Rated Voltage      | 230Vac              |
| Rated Speed        | 1500 rpm            |
| IP Protection      | IP23                |
| Insulation Grade   | H                   |

### Lamp

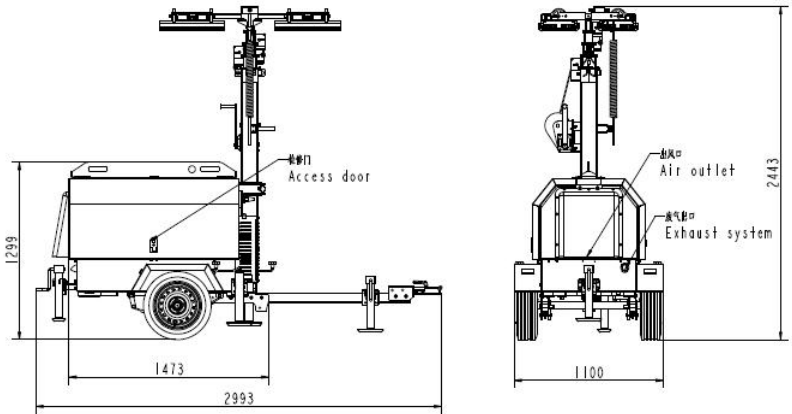
|                     |         |
|---------------------|---------|
| Number * Power      | 4*350W  |
| Protection Glass    | IP66    |
| Luminous Efficiency | 150Lm/w |
| Color Temperature   | 5700 K  |
| Voltage             | 230Vac  |

### Mast

|                          |                  |
|--------------------------|------------------|
| Mast-Maximum Height      | 7.5m             |
| Mast Lifting & Extension | Manual Operation |

### Trailer

|              |                    |
|--------------|--------------------|
| Load bearing | 750KG              |
| Speed        | Off-Road (≤25km/h) |







gorban

#### CONTACT US

 0044-7538919348 (UK) | 0086-13940087735 (China)


 [info@bao-power.com](mailto:info@bao-power.com)

 [www.gorban-generator.com](http://www.gorban-generator.com)


 No. 120-5, Hongrun Road, Yuhong District, Shenyang, China,  
Gate 1

#### FOLLOW US

 <https://www.linkedin.com/company/gorbanpoweruk/>

 <https://www.facebook.com/GorbanPower/>

 <https://www.tiktok.com/@gorban.power>

 <https://www.youtube.com/@GorbanPower>

Photographs are for illustrative purposes only and may not reflect final specification.